

# Longo / Metal legs

by Ramos & Bassols

Longo is a modular system consisting of sofas and operative managerial desks, which function in a multi-faceted manner. Longo provides storage solutions (cabinets, libraries), accessories and sound absorbing panels that are decoratively unified to inspire an enlivening environment.

The configuration of Longo stems from a solid extruded aluminium structure on which we attach the cast iron legs to achieve the desired environment, while always maintaining a unitary visual concept.

Longo enables more friendly, open and relaxed environments, where formal structures and dynamic spaces thrive to create a harmonious environment.

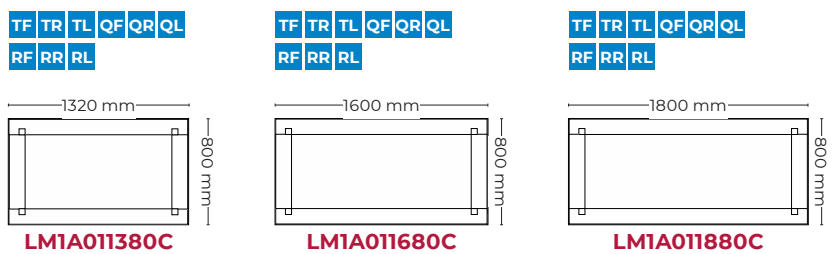
## Technical data

Program of tables	3
Functionalities	4
Finishes	5
Available complements	5
Ecodesign	6
Standards & EPD	6
Certificates	6

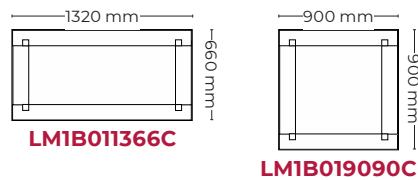


Desks and separate storage units

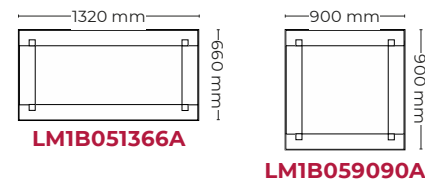
Straight desks · Width 800 mm



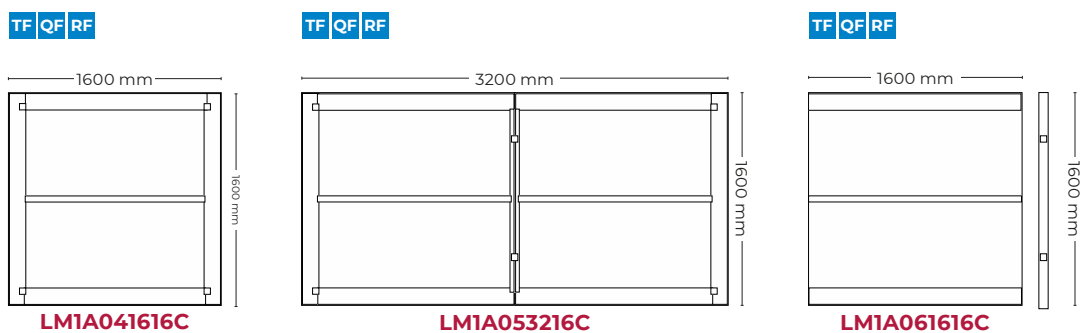
Contract desks



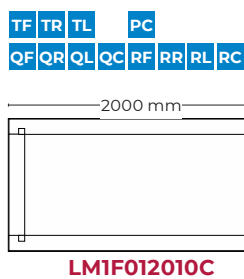
Coffee tables · Height 320 mm



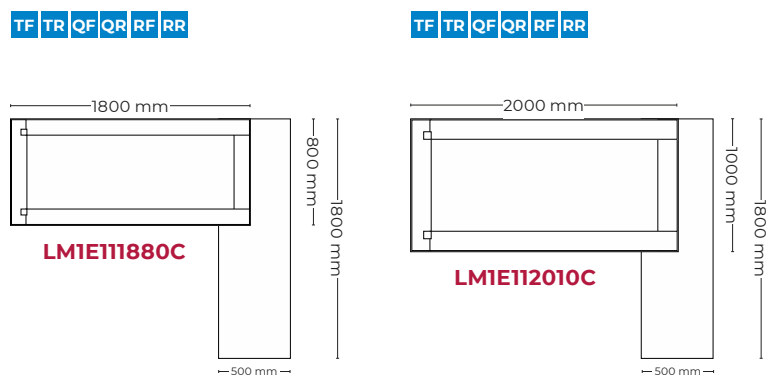
Twin, bench and progressive desks · Width 1600 mm



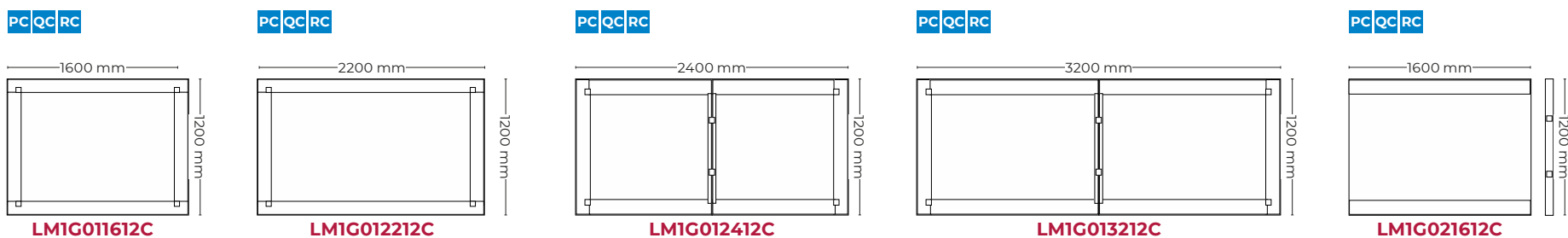
Management desks and meeting tables · Width 1000 mm



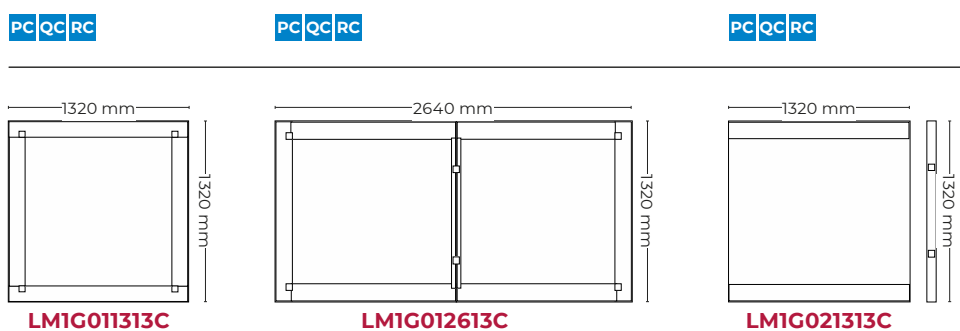
Tables with file support · Width 800 mm · Reversible auxiliary Cabinet



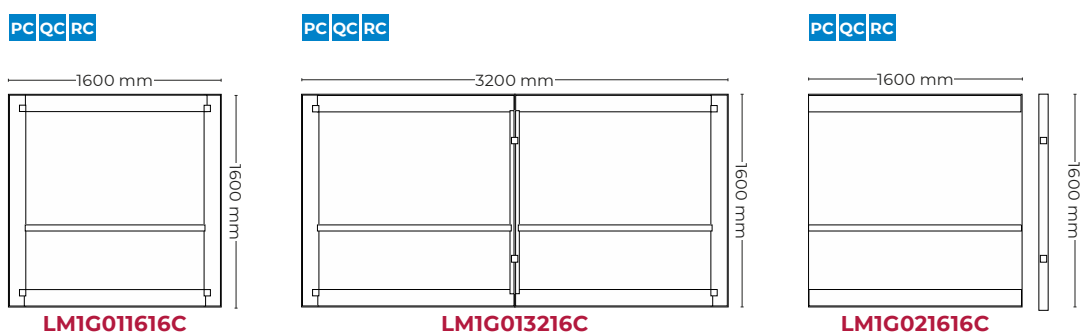
Meeting tables · Width 1200 mm



Meeting tables · Width 1320 mm



Meeting tables · Width 1600 mm



Technical sheet



- 1 Extruded aluminum profile.
- 2 Attachment brackets made from injected aluminum.
- 3 Feet injected with aluminum. Two models:
  - Fixed height 74 cm.
  - Adjustable height 74-82 cm.
- 4 Feet injected with PP with anti-slip leveller.
- 5 Surfaces in different finishes and colors.
- 6 Diferent access to optional wiring.
- 7 Optional accessories connected to the table top: cable traand, CPU supports, etc...
- 8 Optional accessories for desktop: desktop screens, auxiliary cabinets,...

Structure

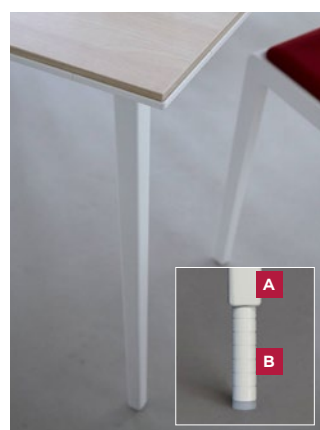


- Structure formed of extruded aluminum profiles covered with an epoxy paint, finished in white, silver and black. The profiles have a joining sandstem, Actiu registered band which enables items to be linked to create infinite possibilities
- Feet:
  - Injected with aluminum in a pandramid shape, covered in epoxy paint in white, silver, black, or polished finishes.
  - Leveler made from PP with an anti-slip sole.
- Injected aluminum brackets for joints, covered in epoxy paint in white and black.

Supports



**LEVELLERS**  
 • Total height: 74 cm



**HEIGHT ADJUSTMENT**  
 • Total height: 74-82 cm

Combinatorial finished

A	B
White	White
Black	Black
Polished	Black

### Surface finishes

#### Melamine · 19 mm



#### Tempered glass · 10 mm    Laminated safety glass · 5 + 5 mm



### Structural finishes

Structure, legs and brackets are all offered in the following finishes:



Frame: White  
Feet: White

Frame: Black  
Feet: Black

Frame: Black  
Feet: Polished

### Accessories

#### Electrification system

An integrated electrification system which enables effective management of cabling and easy installation. It has a steel tray with a large capacity which sits under the work surfaces, which is accessed by via an aluminium door supported on a central beam.



Metal tray made from 1mm sheet steel, great capacity for wires and connections for twin desks. Maximum accessibility optimizing the work surface, enables optimal wiring management. Two models available

- Fixed height
- Height regulation (three positions)

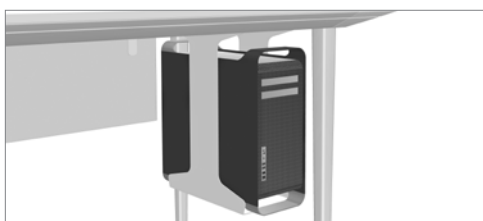


Polystyrene tray for individual or twin desks with wiring and connections. Maximum accessibility optimizing the work surface enabling optimal wiring management. It is anchored directly to the beams of the Longo structure.



Output wiring and connections, allow quick and easy access to the connections and wiring from the surface of the tables.

#### Optional accessories



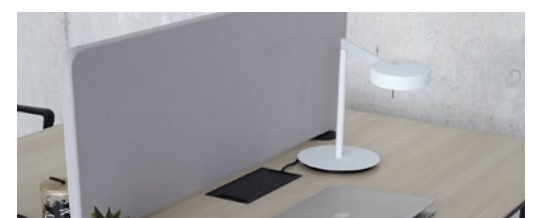
CPU holder. 25-30x49 cm and 1,5 mm thick sheet steel



Modesty panel

#### Desktop screen

Longo has its own system of desktop screens which are anchored directly onto the surface of the table, giving great stability and aesthetic appeal. Fully upholstered, with aluminum profile or rail guides for fixing 3rd level items, soundproof and glass composition, the new desktop screens offer many possibilities. Longo also has movable desktop screens incorporating a stable support system without fixation, which allows the user to change the position of the screen according to their needs at any moment.



### Ecodesign

Recycled materials	71,74%
Production	100%
Transport	100%
Use	Easy
Disposal	87,97%

**Recycled materials:** Maximum use of materials to eliminate waste and minimize residues. Use of recyclable materials and recycled materials in components that do not affect functionality and durability. **Production:** Maximum optimization of energy use. Minimum environmental impact. State-of-the-art technological systems. Zero wastewater discharge. VOC-free coatings. Processes free of heavy metals, phosphates, OC and COD. **Transport:** Dismountable systems. Volumes that facilitate space optimization. Maximum reduction of energy consumption for transport. **Use:** Quality and guarantee. Long useful life. Possibility of substitution and replacement of elements. **Disposal:** Waste reduction. Reuse system of supplier-manufacturer packaging. Easy separation of components. Solvent-free water-based printing inks on packaging.

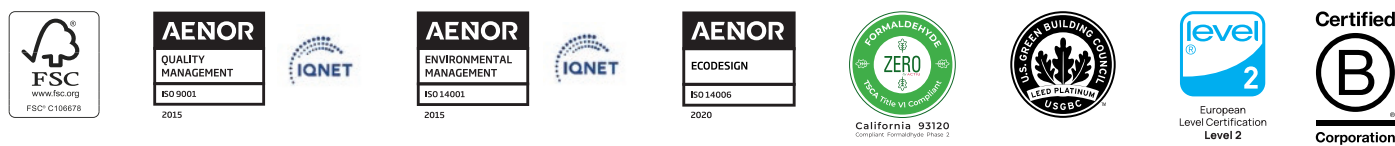
### Standards

Longo has passed the tests carried out in our laboratory and the tests performed at the Instituto Tecnológico del Mueble (AIDIMME) corresponding to the standards:

Regulations	Description
UNE-EN 527-1:2011	Office furniture. Work tables. <b>Part 1:</b> Dimensions.
UNE-EN 527-2:2017	Office furniture. Work tables. <b>Part 2:</b> Requirements for safety, strength and durability.
UNE-EN 1730:2013	Furniture - Tables - Test methods for the determination of stability, strength and durability.
UNE-EN 15372:2017	Furniture. Strength, durability and safety. Requirements for non-domestic tables.
REAL DECRETO RD 488/1997	

### Certificates

The different programs allow points to be obtained in different environmental categories, referring to sustainable plots, materials and resources, efficiency in water, energy and atmosphere, indoor environmental quality, and innovation and design, which are applied to a building in order to obtain **LEED certification**.



6