

YO ET80 | outdoor side table ☁️☀️

**Romano Marcato** | 2016





# YO

Romano Marcato | 2016

Versatility always wins. And YO is the brightest example. Even on a day when the sun prefers to hide away. Just place this side table near an armchair or a sofa. Just see how its off-centre base support allows the most acrobatic combinations and ensures stability for the top, available in various geometric shapes. All this is enough to immediately restore serenity.

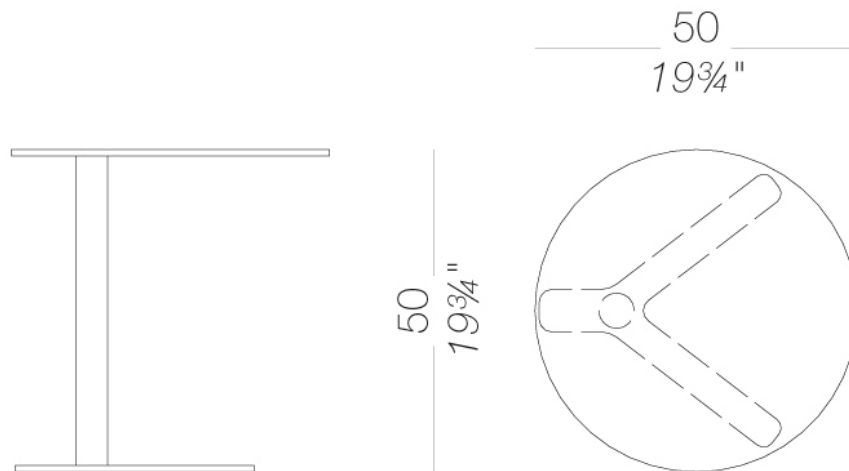


# YO

Romano Marcato | 2016

## ET80 | outdoor side table with round top Ø50 H50 ☀️

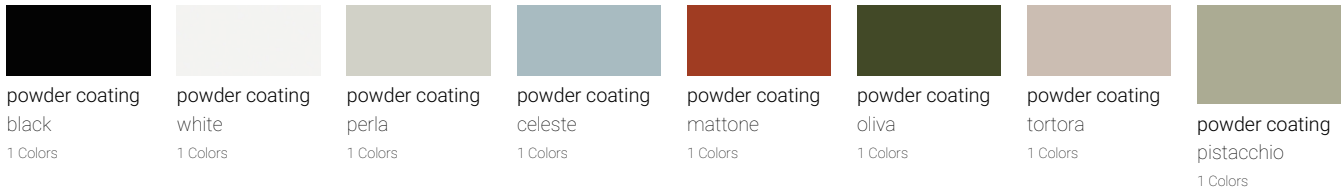
Outdoor side table with base, column and top fixing plate in stainless steel 304 all powder coated polyester. Tops in several shapes and finishes in HPL Fenix® 10 mm. Rubber glides under the base.



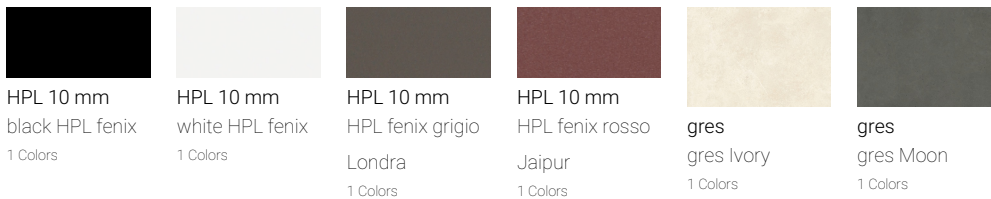
# YO ET80 | outdoor side table

Romano Marcato | 2016

## frame



## top



## consult the folder of materials for the range of colors

### use and maintenance instructions

Plastic materials, even if intended for outdoor use, may still be attacked over time by particular atmospheric pollutants (e.g. acid rain, high concentration of PM10, nitrogen oxides, hydrocarbons, etc.). Any changes in the surface and in colours may therefore occur under particular conditions of exposure and cannot be considered grounds for any claims.

Do not use detergents containing bleach, hydrochloric acid or products containing chloride on any metal parts. Salt, limescale or acid (from coffee, wine, orange juice, tomato juice, lemon, etc.) may discolour stainless steel parts if they are not promptly cleaned. Products or parts made of stainless steel used near the sea or in interior fittings of swimming pools require more frequent cleaning to remove chloride deposits and prevent corrosion and chemical attack of the external surface. Stains on stainless steel surfaces must be promptly cleaned. If left for a long time they can become permanent.

To prolong the life of the product, clean the surfaces regularly, dry them with a clean cloth and remove any stagnant water, especially if exposed in locations with a high level of humidity or a marine climate.

When not in use, we recommend storing in sheltered places and covering with waterproof protection. In this case, it is advisable to remove the cover and ventilate the product frequently and regularly to avoid the onset of any mould or stains due to damp.

THE WARRANTY WILL NOT COVER DEFECTS OR IMPERFECTIONS RESULTING FROM THE PASSAGE OF TIME OR TO WEAR AND TEAR DUE TO THE NORMAL USE OF THE PRODUCT.