

# Pottolo 5 legs

Design by Iratzoki & Lizaso



The Pottolo Collection is also at home in a work environment with its rotating version. This model, with its slightly tilting back, brings its elegant softness and snug comfort to the office setting.

**CATEGORY:**

Office chair

**ENVIRONMENT:**

Indoor

**APPLICATIONS:**

- CHR
- Public
- Office
- Home

**WEIGHT:** 18,5 kg

**MATERIALS:**

Upholstered seat and back 5 star base with casters in metal, white (RAL 9010) or black (RAL 9004) mat with actuator for seat height adjustment. Integrated mechanism for adjustment seat height. 2.5° tilt, possibility of tilting up to 9.5° (with the joystick).

**IN OPTION:** N/A

**MADE TO ORDER:** Finishes and upholsteries to be specified.

**SPARE PARTS:** Slide glides, recommended for all types of flooring. Possibility to change for felt glides in case of wooden and marble floors.

**ACCESSORIES:** No

**ASSEMBLED PRODUCT:** Yes

**COM/COL UPHOLSTERY:**

Upon request and under alki's confirmation

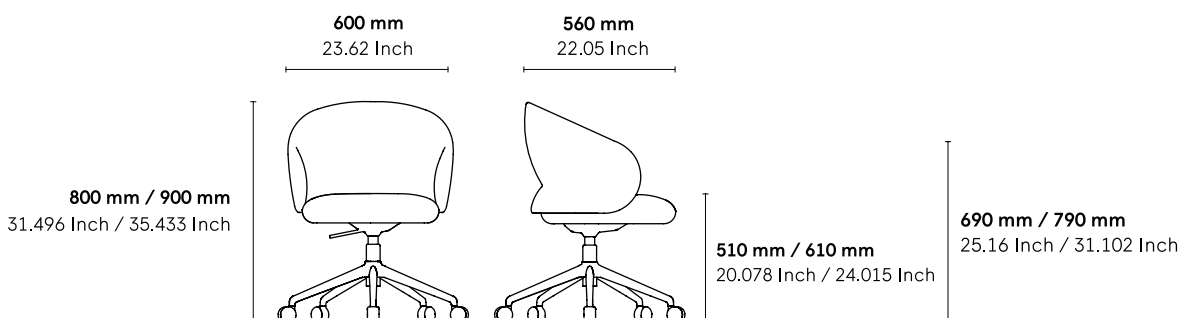
**CLEANING AND CARE INSTRUCTIONS:**

Uniquement microfibre à peine humide + sécher au chiffon. Ne pas utiliser de produits qui contiennent du silicone. Pour les produits tapissés, veuillez suivre les instructions d'entretien du fabricant tissu sur kvadrat.dk, gabriel.dk, anticcuir.com and hornschuch.com

**DOWNLOADS:**

3D and 2D files are available at alki.fr – images bank section.

**DIMENSIONS :**



Non contractual document - modifiable without previous notice.

SEATING

- Chairs
- Working Chairs
- Meeting Chairs
- Stools

## Chairs

---



## Meeting Chairs

---



## Working Chairs

---



## Stools

---

