

TWIST

BY MORTEN FLENSTED



COFFEE TABLES

Twist is a playful, yet elegant coffee table designed with movement as the underlying theme.



TWIST

BY MORTEN FLENSTED



COFFEE TABLES



KEY FEATURES

Elemental play
Reserved elegance
Sculptured strength

TWIST COFFEE TABLE

The smooth table top 'disc' seems to float about the soft flowing lines of the sturdy wire frame. As you move around the table, the lines of the frame show a changing geometric pattern – hence the name 'Twist'.

The table top is available as a laminate or solid oak surface. The discrete 10mm steel frame is available in a white, black or brass powder coating. Twist is available in two sizes to accommodate both sofa and low-level seat settings.

FACTS

Designer	Morten Flensted
Year	2011
Origin	Made in Denmark
Table Top	10mm compact laminate, oak
Base	Powder coated steel, Black (RAL 9005), White (RAL 9010), Brass
Assembly	Assembled frame, loose top with fixing included
Lead times	6 - 8 weeks
Intended use	Hospitality, reception & public space
Complementary	Bark lounge chair, Smile Lounge, Bank, Private, EC1 & Form sofas
Certification	We follow REACH; Where formaldehyde is found, we adhere to E0 and E1 EU regulations. Icons is ISO 9001 and 14001 certified

INSPIRATION



TWIST

BY MORTEN FLENSTED



TABLES

VARIATIONS

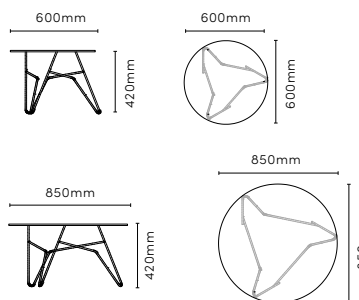


Small



Large

SPECIFICATIONS



DIMENSIONS

Type	Diameter	Height
Small 420H	600mm	420mm
Large 420H	850mm	420mm
Small 450H	600mm	450mm
Large 450H	850mm	450mm

TABLE TOP



10mm
black compact laminate



10mm
white compact laminate



Oak natural oil



Oak dark oil

BASE



Powder coated
black steel
RAL 9005



Powder coated
white steel
RAL 9010

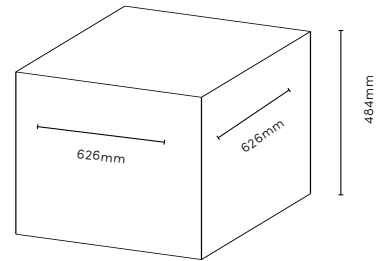


Powder
coated
brass finish

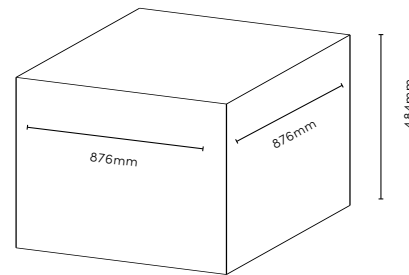
Other RAL colour frame available on request

SHIPPING MEASUREMENTS

Type	M ³	Weight	Box size
Small	0.05	14kg	626x626x484 mm
Large	0.19	20kg	876x876x484 mm



Small
Up to 4 frames
pr box



Large
Up to 4 frames
pr box