

Landa container

Fixed

Design by Samuel Accoceberry



Landa collection enriches with new accessories such as small containers enabling to tidy up books, files, office supplies... These containers are proposed in different sizes, totally mobile, and could be covered by wool on the outside. We always find the red brush to pass easier cables from inside the desk.

CATEGORY:

Storage

ENVIRONMENT:

Indoor

APPLICATIONS:

- CHR
- Public
- Office
- Home

WEIGHT: 22 kg

MATERIALS:

Structure beech veneer covered with wool. Drawers: interior beech, exterior oak. Made of roller bearings in total output. Top and shelves: multi-ply oak.

MADE TO ORDER: Finishes to be specified.

ACCESSORIES: No

ASSEMBLED PRODUCT: Yes

REMOVABLE PRODUCT: No

COM: Upon request and under alki's confirmation

COL: Not available in leather

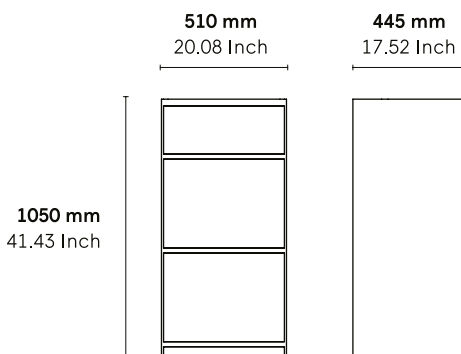
CLEANING AND CARE INSTRUCTIONS:

Dry cloth. To avoid aerosol and spray products with silicone. For upholstery versions please find cleaning instructions for selected fabric at kvadrat.dk, gabriel.dk, anticcuir.com and hornschuch.com

DOWNLOADS:

3D and 2D files are available at alki.fr – images bank section.

DIMENSIONS :



Non contractual document - modifiable without previous notice.

TABLES

Desk Tables

Desk Tables



ORGANIZATION

Storage & Shelving

Drawers

Storage & Shelving



Drawers

