



The Kuskoa collection is inspired by the first plastic chairs designed by Robin Day. But in this case, all the chair is crafted out of wood, providing a warm appearance, comfort and resistance. The wooden curved shell, which can be front or fully upholstered, perches delicately on a frame of solid wood.

CATEGORY:
Stool

ENVIRONMENT:
Indoor

APPLICATIONS:
— CHR
— Public
— Office

WEIGHT: 6,4 kg

MATERIALS:
Solid oak construction. Seat in oak, brush valsain, upholstered in front side in fabric, eco-leather or leather. Or fully upholstered in fabric, eco-leather and leather. Felt glides. Foot rest with stainless edge.

IN OPTION: CMHR foam (non fire)

MADE TO ORDER: Finishes and upholsteries to be specified.

SPARE PARTS:

Felt glides recommended for all types of flooring. Possibility to change for slide glides in case carpet floors.

ACCESSORIES: Non

ASSEMBLED PRODUCT: Yes

COM UPHOLSTERY:

Upon request and under alki's confirmation.

- Kuskoa front face: COM 0,70 x 1,40 mts / 3 stools
COL 5m² / 8 stools
- Kuskoa front & back: COM 1,40 x 1,40 mts / 3 stools
COL 5m² / 4 stools

CLEANING AND CARE INSTRUCTIONS:

Dry cloth. To avoid aerosol and spray products with silicone. For upholstery versions please find cleaning instructions for selected fabric at kvadrat.dk, gabriel.dk, anticcuir.com and hornschurch.com

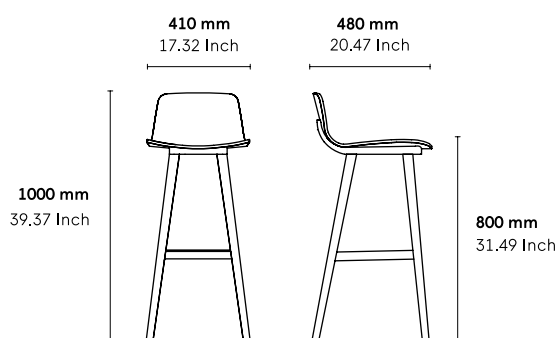
DOWNLOADS:

3D and 2D files are available at alki.fr – images bank section.

CERTIFICATES AND SUSTAINABILITY:

European standard: UNE-EN 16139:2013 / Niveau L2, extreme use

DIMENSIONS :



Kuskoa Collection

Design by Jean Louis Iratzoki

SEATING

- Chairs
- Lounge Chairs
- Stools

TABLES

- Desk Tables
- Dining Tables
- Bistro Tables

Chairs



Lounge Chairs

Stools



Desk Tables



Dining Tables



Bistro Tables

