

Emea Bistrot Table

1080 x 700 x 700 mm

Design by Iratzoki Lizaso



Metal leg



Oak leg



The Emea bistrot table has a central metal leg covered in solid oak. The top can be round or square, available in several sizes.

CATEGORY:

Tables

ENVIRONMENT:

Indoor

APPLICATIONS:

- CHR
- Public
- Office

WEIGHT: 32,2 kg

MATERIALS:

Top in 38mm multi-ply + 4 underpads solid cuts miter, oak veneer 2 sides. Bistrot: metal legs covered in oak

MADE TO ORDER: Finishes to be specified.

ACCESSORIES: No

ASSEMBLED PRODUCT: Yes

REMOVABLE PRODUCT: No

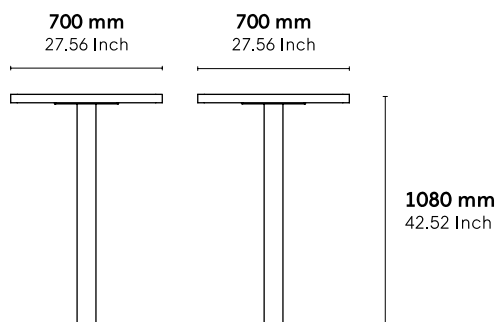
CLEANING AND CARE INSTRUCTIONS:

Dry cloth. To avoid aerosol and spray products with silicone.

DOWNLOADS:

3D and 2D files are available at alki.fr – images bank section.

DIMENSIONS :



Non contractual document - modifiable without previous notice.

Emea Collection

Design by Jean Louis Iratzoki

SEATING

- Chairs
- Lounge Chairs
- Benches
- Stools

TABLES

- Meeting Tables
- High Working Tables
- Dining Tables
- High Dining Tables
- Bistro Tables

Chairs



Lounge Chairs



Stools



Bench



Meeting Tables



High Working Tables



Dining Tables



High Dining Tables



Bistro Tables

