

SKY

BY MIA LAGERMAN



CHAIRS & STOOLS

Designed by Mia Lagerman, Sky is designed to match your activities in the workplace. Sculpted for comfort with just the right flexibility, providing comfort and support for an extended sit.





KEY FEATURES

- Sleek expression**
- Sculpted profile**
- Flexible seat for comfort**

The versatile Sky chair series comes in both a wood or polypropylene shell. Four different steel bases are available, as well as a wood veneer option providing a variety of options for the look and feel of the chair. Whether a stackable or executive base is needed, the Sky provides flexible solutions for high churn environments.

FACTS

Designer	Mia Lagerman
Year	2019
Origin	Made in Denmark
Material	Fabric, leather, oak, steel, aluminium, polypropylene
Base	Powder coated black (RAL 9005), Oak clear lacquer
Assembly	Chairs are preassembled
Lead time	6 - 8 weeks
Intended use	Meeting & social settings
Complementary	Woodstock, Forum, Facit, Kant, Pop table series

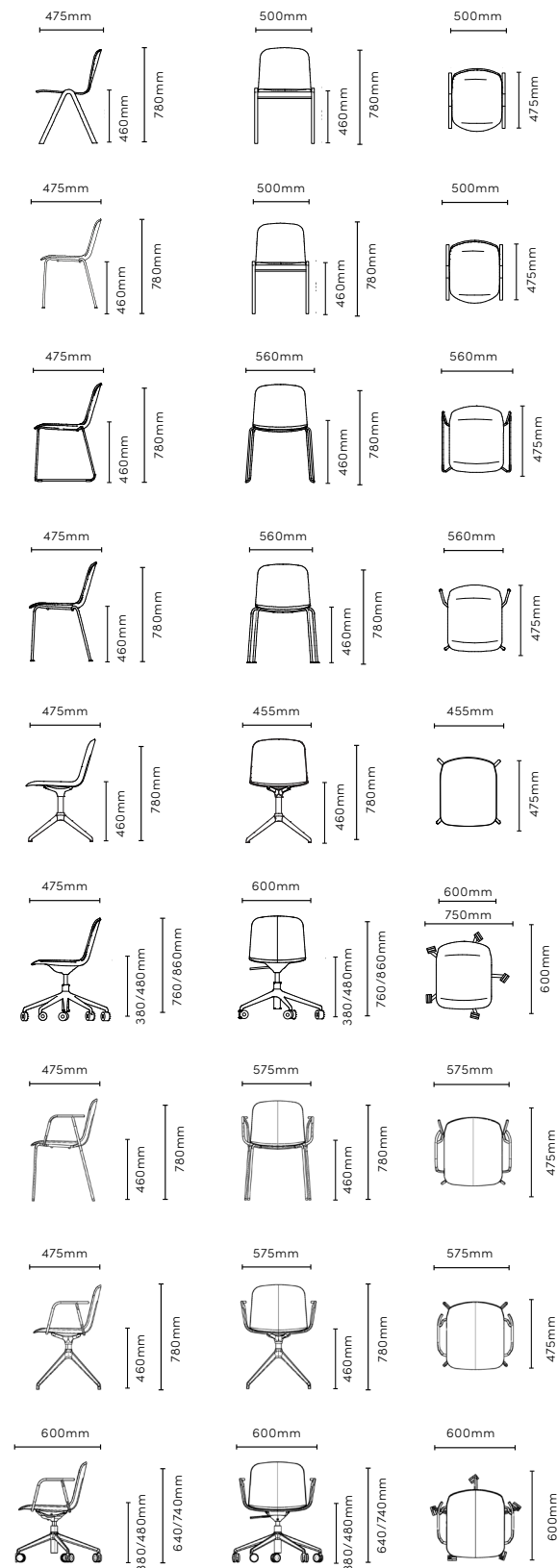
INSPIRATION



CHAIR VARIATIONS



SPECIFICATIONS



DIMENSIONS

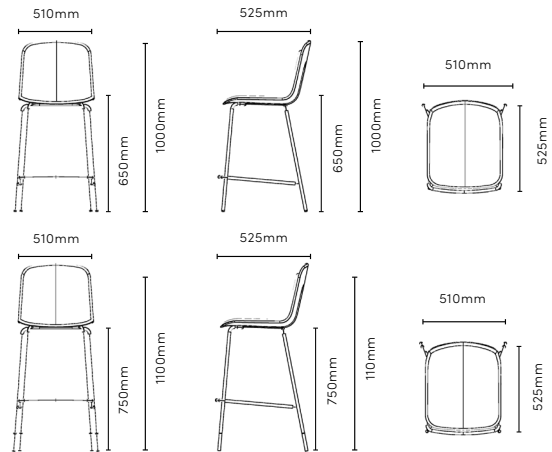
Type	Width	Depth	Height	Seat	Arm Height
Wood	500mm	475mm	780mm	460mm	
Wood Base	500mm	475mm	780mm	460mm	
Sled Base	560mm	475mm	780mm	460mm	
4 Leg	560mm	475mm	780mm	460mm	
4 Star Base	455mm	475mm	780mm	460mm	
4 Star Base with Castors	455mm	475mm	780mm	460mm	
5 Star Base with Castors	600/ 750mm	475mm	760/ 860mm	380/ 480mm	
4 Leg with arms	575mm	475mm	780mm	460mm	670mm
4 Star Base with arms	575mm	475mm	780mm	460mm	670mm
4 Star Castor Base with arms	575mm	475mm	780mm	460mm	670mm
5 Star Base with arms	600mm	600mm	760/ 860mm	380/ 480mm	640/ 740mm

CHAIR VARIATIONS



High Back

SPECIFICATIONS



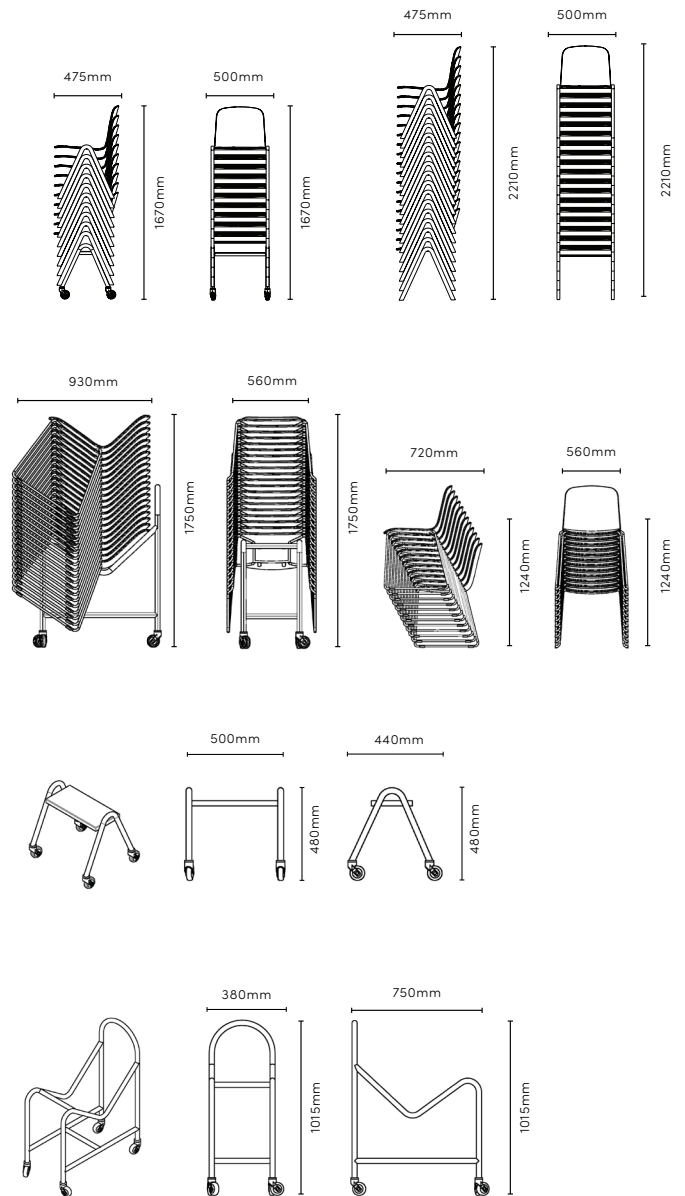
DIMENSIONS

Type	Width	Depth	Height	Seat
High Back- counter height	510mm	525mm	1000mm	650mm
High back bar height	510mm	525mm	1100mm	750mm

STACKABLE VARIATIONS



SPECIFICATIONS





DIMENSIONS

Type	Pieces	Width	Depth	Height
Wood Trolley		500mm	440mm	480mm
4 Leg/Sled Trolley		380mm	750mm	1015mm
Wood Stacked 18		500mm	475mm	2210mm
Wood with 10 trolley	10	500mm	475mm	1670mm
4 Leg/Sled Stacked 12	12	560mm	720mm	1240mm
4 Leg/Sled with Trolley 20	20	560mm	930mm	1750mm/ 1450mm


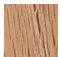

MATERIAL – FABRIC

Fabric Group	0	1	2	3	4
Kvadrat	Technicolour	Re-wool	Steelcut	Serpentine	Coda
	Remix	Fiord	Steelcut Trio	Vidar	Elle
	Clara	Hero	Steelcut Quartet	Vanir	
		Hero Heather	Hallingdal	Arda	
		Melange Nap	Canvas	Twill Weave	
		Mylla	Still	Forestview	
		Encircle	Clay	Regos	
			Saxion		
Leather Group		1	2	3	4
Sørensen				Savanne	Spectrum

SHELL

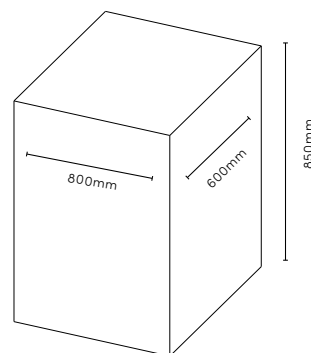
-  Upholstered polypropylene
-  Oak clear lacquer

BASE

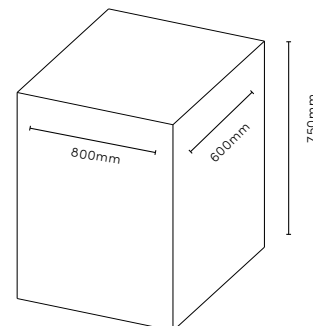
-  Powder coated black RAL 9005
-  Oak clear lacquer
-  Polished aluminium
4 & 5 Star Base only

SHIPPING MEASUREMENTS

Type	M ³	Weight	Box size
Wood	0.4	19.4kg	560x640x990mm
Sled	0.4	6kg	800x600x850mm
4 Star	0.4	6kg	800x600x850mm
4 Leg	0.4	6kg	800x600x850mm
4 Star w. castors	0.4	8kg	800x600x850mm
5 Star w. castors	0.36	10kg	800x600x750mm



Wood
4 Leg / Sled
(3 chairs pr box)

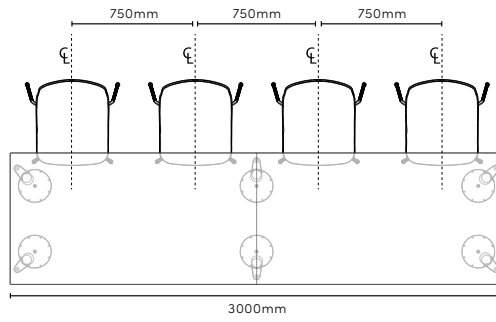


5 Star Base
(1 chair pr box)

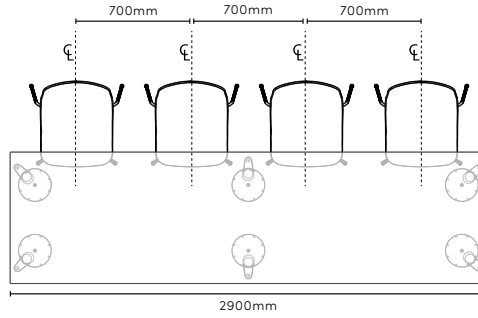
4 Star base
(1 chair pr box)

SPACE ALLOCATION PER CHAIR

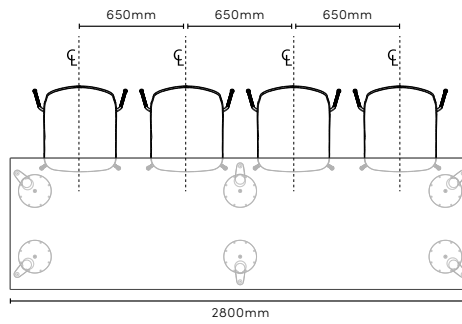
Spacious Layout
750mm



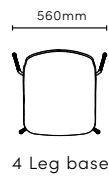
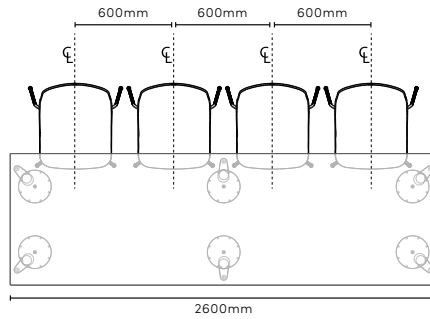
Comfortable Layout
700mm



Standard Layout
650mm



Compact Layout
600mm



PRODUCT MATERIAL DECLARATION - SKY WOOD

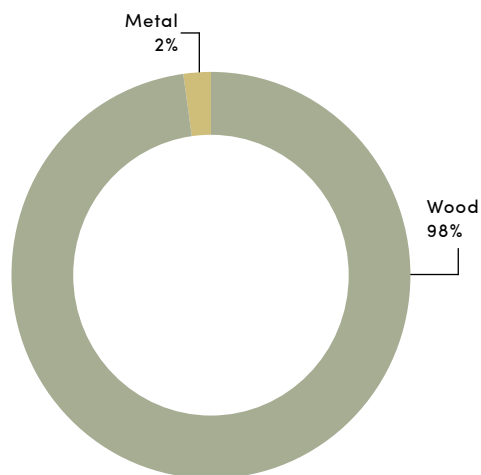
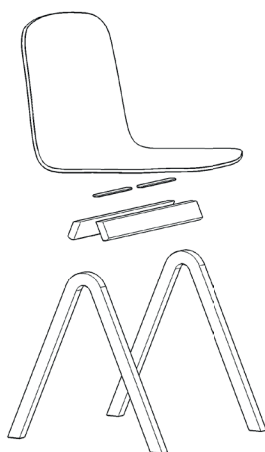


Material	Weight (kg) per component group	Origin of component	Recycled or renewable content	Recyclable content*
Wood	3.7 / 98%	EU	100%	100%
Metal	0.08 / 2%	EU	0%	100%
TOTAL:	3.78 / 100%	TOTAL:	98%	100%

The components of this product comply with E1 Classification of formaldehyde emissions and qualify for building certifications

*Recyclable content is based on responsible commercial disposal by end user into the appropriate waste streams

SUSTAINABILITY



RECYCLED OR RENEWABLE CONTENT



RECYCLABLE CONTENT

This PMD is written in accordance with ISO 14021:1999

Icons of Denmark is ISO 9001:2015 (Quality) and ISO 14001:2015 (Environment) certified

PRODUCT MATERIAL DECLARATION - SKY 4 STAR BASE



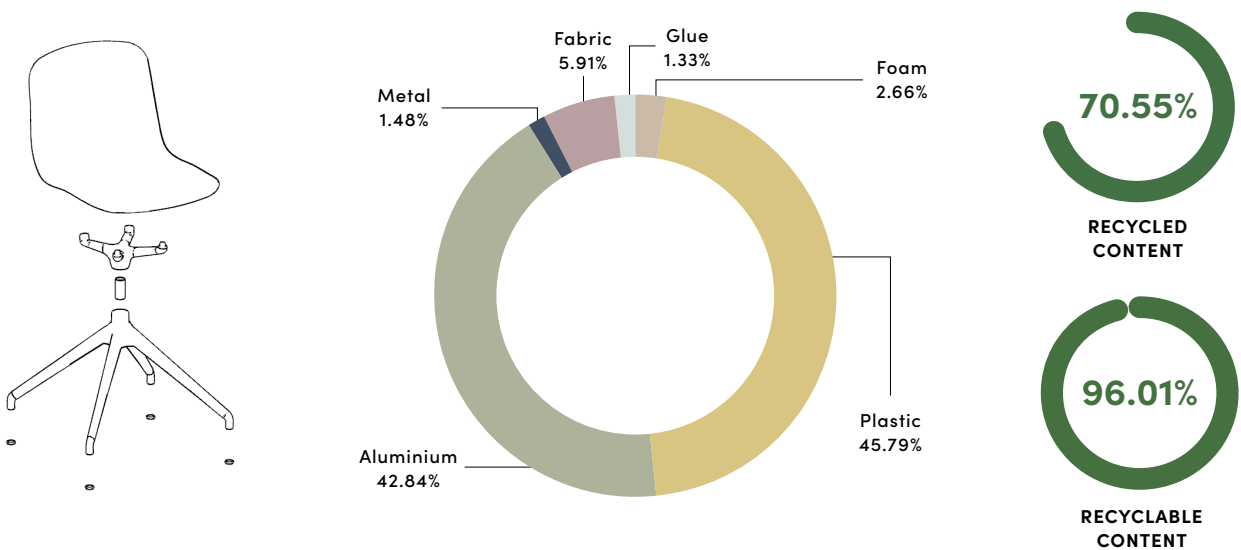
Material	Weight (kg/%) per component group	Origin of component	Recycled content	Recyclable content **
Foam	0.18 / 2.66%	EU	0%	0%
Plastic	3.1 / 45.79%	EU	50%	100%
Aluminium	2.9 / 42.84%	EU	94%	100%
Metal	0.1 / 1.48%	EU	100%	100%
Fabric+	0.4 / 5.91%	EU	100%	100%
Glue	0.09 / 1.33%	EU	0%	0%
TOTAL:	6.77kg / 100%	TOTAL:	70.55%	96.01%

The components of this product comply with E1 Classification of formaldehyde emissions and qualify for building certifications

+Fabric calculations are based on Kvadrat - Sport

**Recyclable content is based on responsible commercial disposal by end user into the appropriate waste streams

SUSTAINABILITY



This PMD is written in accordance with ISO 14021:1999

Icons of Denmark is ISO 9001:2015 (Quality) and ISO 14001:2015 (Environment) certified

PRODUCT MATERIAL DECLARATION - SKY 5 STAR BASE ON CASTORS



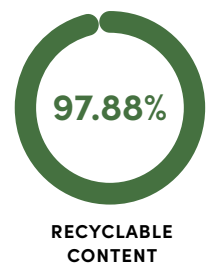
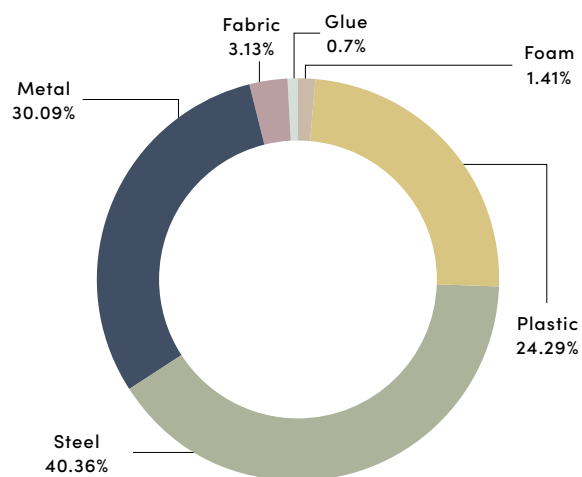
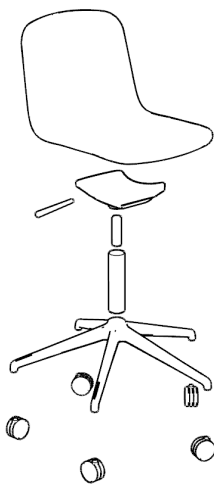
Material	Weight (kg/%) per component group	Origin of component	Recycled content	Recyclable content **
Foam	0.18 / 1.41%	EU	0%	0%
Plastic	3.1 / 24.29%	EU	50%	100%
Steel	5.15 / 40.36%	EU	94%	100%
Metal	3.84 / 30.09%	EU	100%	100%
Fabric	0.4 / 3.13%	EU	100%	100%
Glue	0.09 / 0.7%	EU	0%	0%
TOTAL:	12.76kg / 100%	TOTAL:	81.56%	97.88%

The components of this product comply with E1 Classification of formaldehyde emissions and qualify for building certifications

+Fabric calculations are based on Kvadrat - Sport

**Recyclable content is based on responsible commercial disposal by end user into the appropriate waste streams

SUSTAINABILITY



This PMD is written in accordance with ISO 14021:1999

Icons of Denmark is ISO 9001:2015 (Quality) and ISO 14001:2015 (Environment) certified

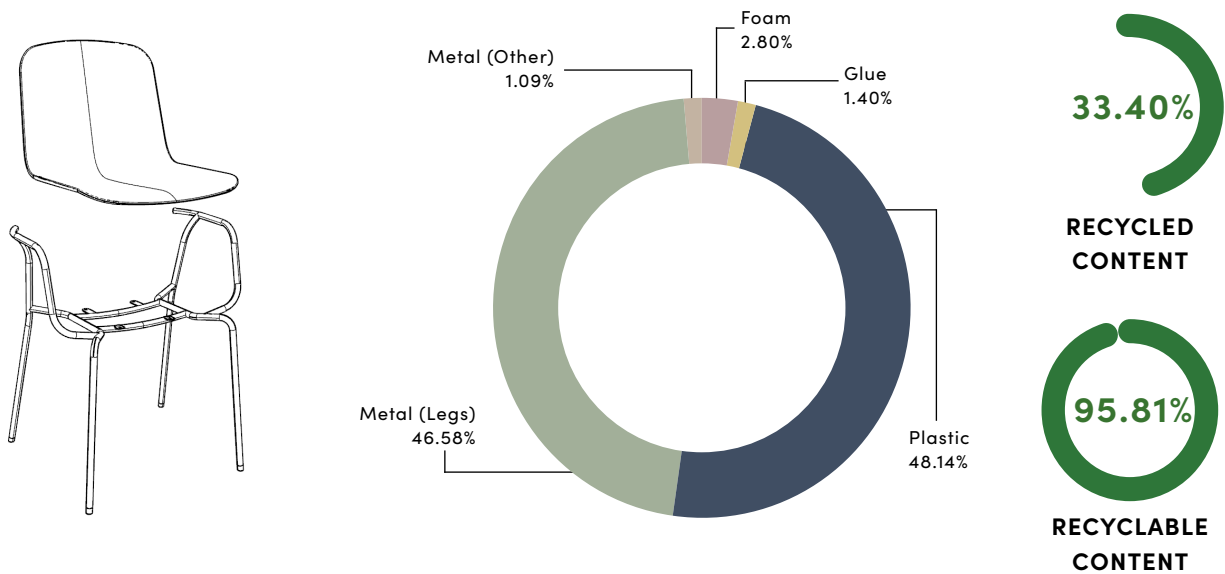
PRODUCT MATERIAL DECLARATION - SKY - METAL 4 LEG WITH ARM REST



Material	Weight (kg) per component group	Origin of component	Recycled content	Recyclable content*
Foam	0.18 / 2.80%	EU	0%	0%
Glue	0.09 / 1.40%	EU	0%	0%
Plastic	3.10 / 48.14%	EU	50%	100%
Metal (Legs)	3 / 46.58%	EU	17.7%	100%
Metal (Other)	0.07 / 1.09%	EU	100%	100%
TOTAL:	6.44 / 100%	TOTAL:	33.40%	95.81%

The components of this product comply with E1 Classification of formaldehyde emissions and qualify for building certifications
 *Recyclable content is based on responsible commercial disposal by end user into the appropriate waste streams

SUSTAINABILITY



This PMD is written in accordance with ISO 14021:1999
 Icons of Denmark is ISO 9001:2015 (Quality) and ISO 14001:2015 (Environment) certified

PRODUCT MATERIAL DECLARATION - SKY SLED BASE



Material	Weight (kg/%) per component group	Origin of component	Recycled content	Recyclable content ***
Foam	0.18 / 2.13%	EU	0%	0%
Plastic	3.1 / 36.64%	EU	50%	100%
Sled Base (Comprised of Steel)++	4.59 / 54.26%	EU	24.69%	98.04%
Metal	0.1 / 1.18%	EU	100%	100%
Fabric+	0.4 / 4.73%	EU	100%	100%
Glue	0.09 / 1.06%	EU	0%	0%
TOTAL:	8.46kg / 100%	TOTAL:	40.23%	95.75%

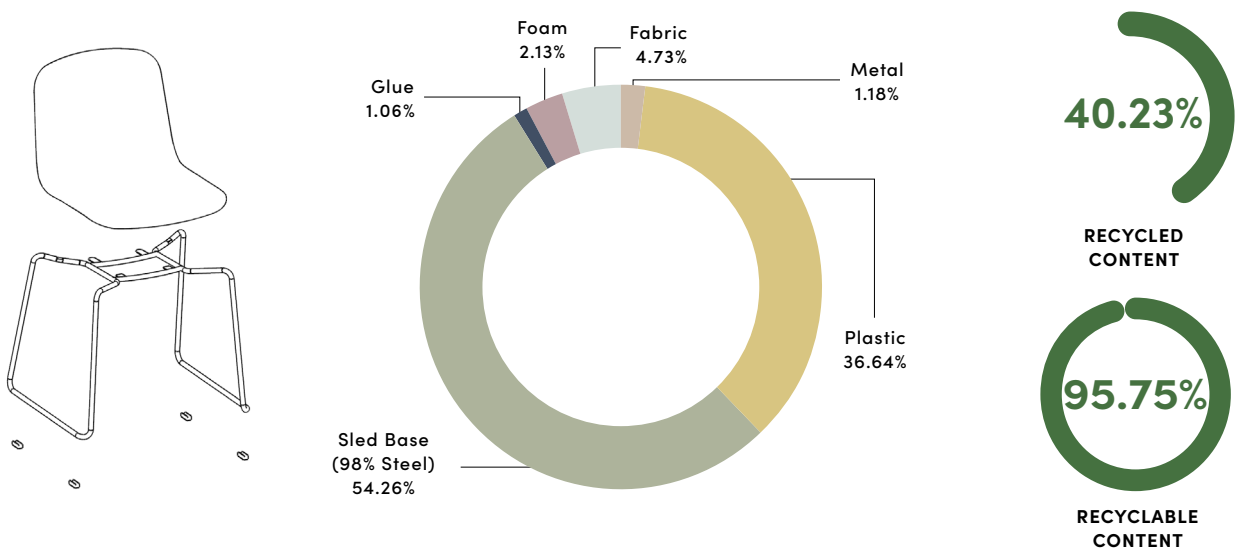
The components of this product comply with E1 Classification of formaldehyde emissions and qualify for building certifications

+Fabric calculations are based on Kvadrat - Sport

++ Comprised of 98% Steel

+++Recyclable content is based on responsible commercial disposal by end user into the appropriate waste streams

SUSTAINABILITY



This PMD is written in accordance with ISO 14021:1999

Icons of Denmark is ISO 9001:2015 (Quality) and ISO 14001:2015 (Environment) certified