

SCALA

BY HANS THYGE & CO



TABLES

An innovative table system, Scala is designed to use less than 60% of the material a traditional table is made from.



SCALA

BY HANS THYGE & CO



TABLES



KEY FEATURES

Material efficient
Innovative design
Endless shapes and sizes

SCALA

Created using innovative technology, Scala is a material efficient product designed for the demands of the workplace. Available in rectangular, round, barrel or organic shapes, Scala uses the strength of the multi-layered fibre composite table top, combined with a unique leg mechanism to replace the traditional use of strengthening beams. The options for Scala are varied. Choose a dining, meeting, or hot-desk configuration or for more flexible spaces an irregular shape with organic forms.

FACTS

Designer	Hans Thyge & Co
Year	2022
Origin	Made in Denmark
Table Top	40mm Eurolight Table Top with Linoleum, Fenix, laminate and wood veneer
Base	Oak black lacquer, oak white pigmented lacquer, oak smoked lacquer
Edge	Straight edge with oak black lacquer, oak white pigmented lacquer, oak smoked lacquer or coloured ABS edge
Accessories	Power & data cable cover and tray, integrated leg power, desk screens
Assembly	Table top and legs flatpacked with fittings included
Lead times	6 - 8 weeks
Intended use	Workstation, meeting & conference settings
Complementary	Arena, Crossover and Sky chairs

INSPIRATION



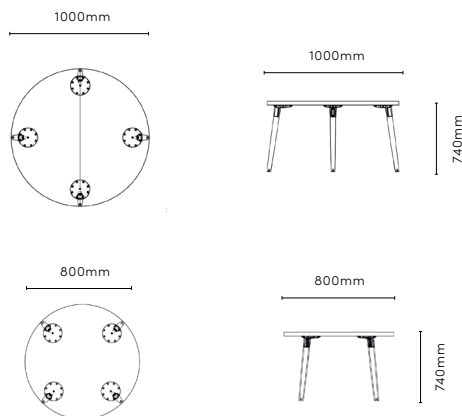
SCALA ROUND TABLE

DIMENSIONS

SPECIFICATIONS



Width	Height
800mm	740mm
900mm	740mm
1000mm	740mm
1200mm	740mm
1400mm	740mm
1600mm	740mm
1800mm	740mm
2000mm	740mm
2400mm	740mm



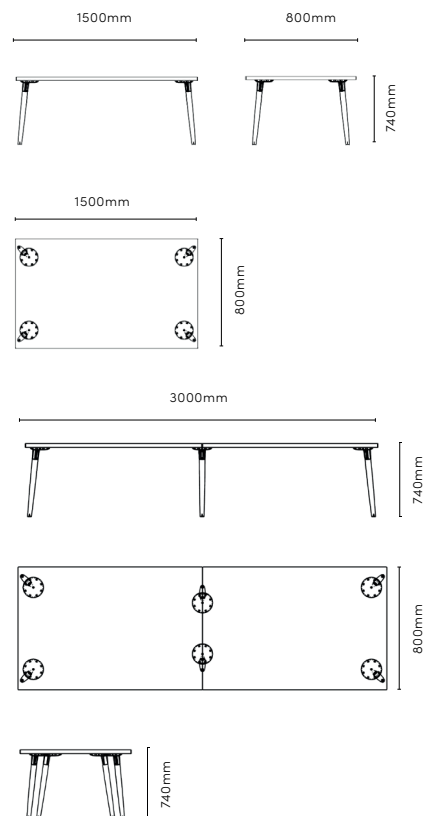
SCALA TABLE

DIMENSIONS

SPECIFICATIONS



Width	Depth	Height
1200mm	800/1000/1200	740mm
1500mm	800/1000/1200	740mm
1800mm	800/1000/1200	740mm
2000mm	800/1000/1200	740mm
2400mm	800/1000/1200/1400/1600	740mm
3000mm	800/1000/1200/1400/1600	740mm
3600mm	800/1000/1200/1400/1600	740mm
4200mm	800/1000/1200/1400/1600	740mm
4800mm	800/1000/1200/1400/1600	740mm
5400mm	800/1000/1200/1400/1600	740mm



SCALA BARRELL TABLE

DIMENSIONS

SPECIFICATIONS



Width	Depth	Height
2400mm	1000/1200	740mm
3000mm	1000/1200	740mm
3600mm	1000/1200/1400/1600mm	740mm
4800mm	1000/1200/1400/1600mm	740mm
5400mm	1000/1200/1400/1600mm	740mm

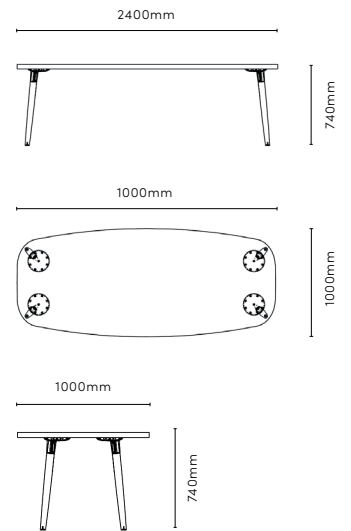


TABLE TOP – WOOD VENEER

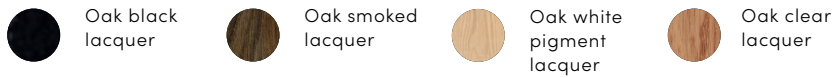


TABLE TOP – LAMINATE

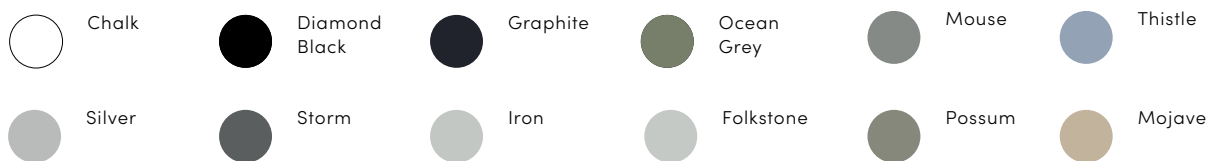


TABLE TOP – LINOLEUM



TABLE TOP – FENIX



BASE – SOLID WOOD



Oak black lacquer



Oak white pigmented lacquer



Oak smoked lacquer



Oak clear lacquer

EDGE – FINISH



Oak black lacquer



Oak white pigmented lacquer



Oak smoked lacquer



Oak clear lacquer



Coloured ABS edge
(to match table top)

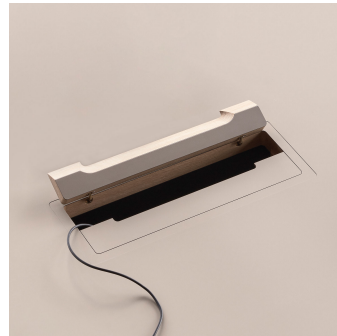
ACCESSORIES



CNC cut out for top pixel unit



Fabric desk screens



Cable trays and covers



Integrated hidden power in the leg

PRODUCT MATERIAL DECLARATION - SCALA TABLE OAK VENEER TOP 800MM X 1500MM

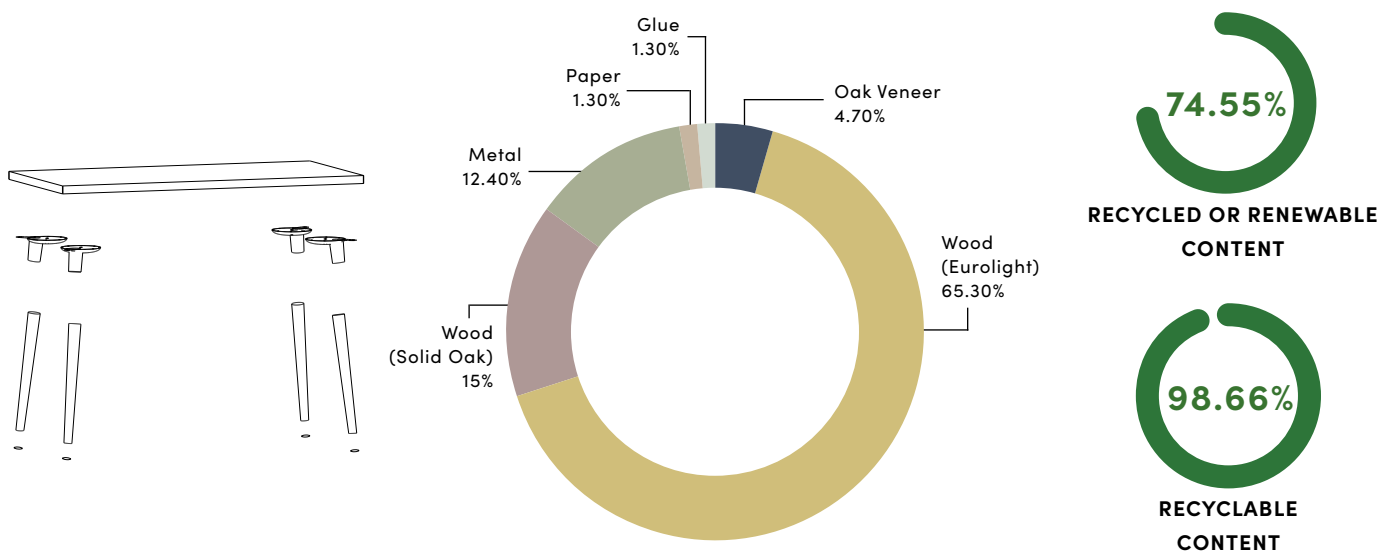


Material	Weight (kg) per component group	Origin of component	Recycled or renewable content	Recyclable content*
Oak Veneer	1.05 / 4.70%	EU	100%	100%
Wood (Eurolight)	14.59 / 65.30%	EU	84%	100%
Wood (Solid Oak)	3.36 / 15%	EU	100%	100%
Metal	2.77 / 12.40%	EU, CN, ID	0%	100%
Paper	0.28 / 1.30%	EU	0%	100%
Glue	0.30 / 1.30%	EU	0%	0%
TOTAL:	22.35 / 100%	TOTAL:	74.55%	98.66%

The components of this product comply with E1 Classification of formaldehyde emissions and qualify for building certifications

*Recyclable content is based on responsible commercial disposal by end user into the appropriate waste streams

SUSTAINABILITY



This PMD is written in accordance with ISO 14021:1999

Icons of Denmark is ISO 9001:2015 (Quality) and ISO 14001:2015 (Environment) certified