

NAM NAM

BY HOLMBÄCKNORDENTOFT



CHAIRS & STOOLS

Designed by HolmbäckNordentoft and named after the Asian street food restaurant for which it was created, the Nam Nam takes inspiration from Japanese nature and construction.



NAM NAM

BY HOLMBÄCKNORDENTOFT



CHAIRS & STOOLS



KEY FEATURES

Contoured shell
Light & playful
Array of colours and finishes

NAM NAM

The chairs and stools construction consist of three main parts which, in various colours, can be combined in countless ways. The chair consists of a moulded shell made of treated or painted veneer and is available with optional seat upholstery.

Taking inspiration from the ancient method of tying together bamboo sticks, the legs and supports of the frame are positioned next to one another in order to make a stable and robust construction.

FACTS

Designer	HolmbäckNordentoft
Year	2012
Origin	Made in Denmark
Material	Fabric, leather, lacquered wood veneer
Base	Lacquered wood, powder coated steel
Accessories	Contrasting button colours, front upholstery
Assembly	Chairs are preassembled.
Lead times	6 - 8 weeks
Intended use	Meeting, cafe & social settings
Complementary	Woodstock, Facit, Kant and Bank table series
Technical features	4 Leg stackability 10 pieces

INSPIRATION



NAM NAM

BY HOLMBÄCKNORDENTOFT

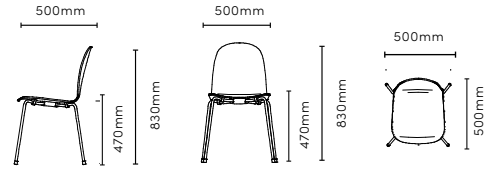


CHAIRS & STOOLS

VARIATIONS - 4 LEG

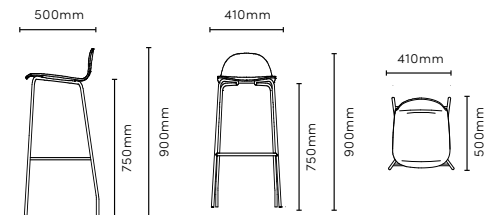
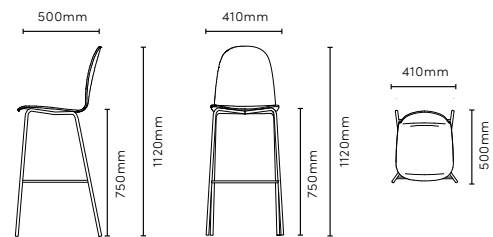


SPECIFICATIONS



DIMENSIONS - CONTRACT

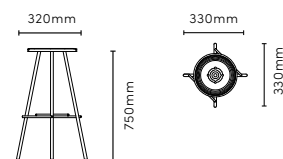
Type	Width	Depth	Height	Seat Height
Chair	500mm	500mm	830mm	470mm
High Back Barstool	410mm	500mm	1030/1130mm	650/750mm
Low Back Barstool	410mm	500mm	800/900mm	650/750mm



VARIATIONS - CLASSIC

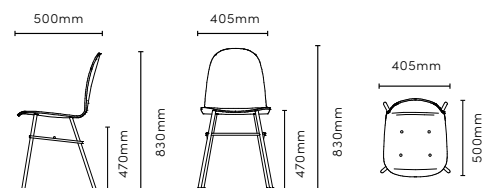


SPECIFICATIONS



DIMENSIONS - CLASSIC

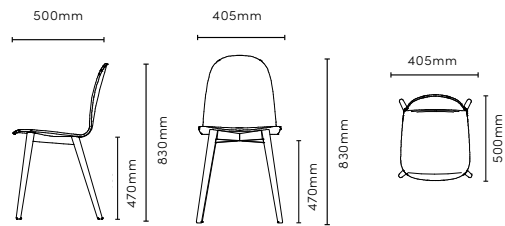
Type	Width	Depth	Height	Seat Height
Small barstool	305mm	305mm	450mm	450mm
Medium barstool	320mm	320mm	650mm	650mm
Large barstool	320mm	320mm	750mm	750mm
Chair	405mm	500mm	830mm	470mm



VARIATIONS - WOOD

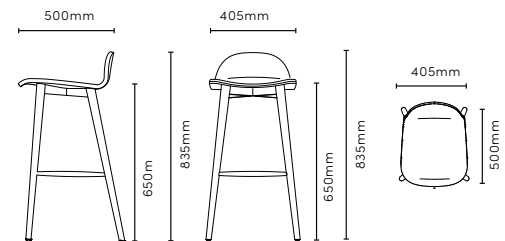
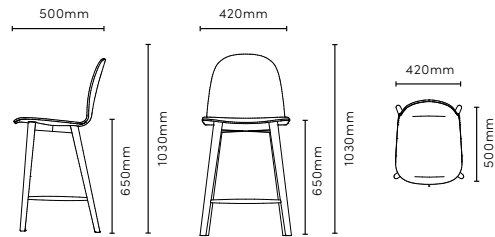


SPECIFICATIONS



DIMENSIONS - WOOD

Type	Width	Depth	Height	Seat Height
Chair	405mm	500mm	830mm	470mm
High Back barstool	420mm	500mm	1030/1130mm	650/750mm
Low Back barstool	420mm	500mm	835/935mm	650/750mm



SHELL - WOOD



Oak clear
lacquer

SHELL - PAINTED WOOD



Black
RAL 9005



Silk Grey
RAL 7044



Smokey Blue
RAL 5008



Conifer
RAL 6009



Burgundy
RAL 3007



Pewter
RAL 7043

BASE - WOOD, PAINTED WOOD OR STEEL



Oak clear
lacquer



Black
RAL 9005
wood or steel



Silk Grey
RAL 7044
wood or steel



Smokey Blue
RAL 5008
wood or steel



Conifer
RAL 6009
wood or steel



Burgundy
RAL 3007
wood or steel



Pewter
RAL 7043
wood or steel

MATERIAL – FABRIC, LEATHER

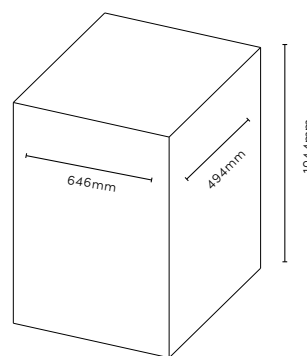
Fabric Group	0	1	2	3	4
Kvadrat	Technicolour	Re-wool	Steelcut	Serpentine	Coda
	Remix	Fiord	Steelcut Trio	Vidar	Elle
	Clara	Hero	Steelcut Quartet	Vanir	
		Hero Heather	Hallingdal	Arda	
		Melange Nap	Canvas	Twill Weave	
		Haku	Still	Forestview	
		Mylla	Clay	Regos	
		Encircle		Saxion	

Leather Group	1	2	3	4
Sørensen	Ultra Crib5	Nuance	Savanne	Spectrum*

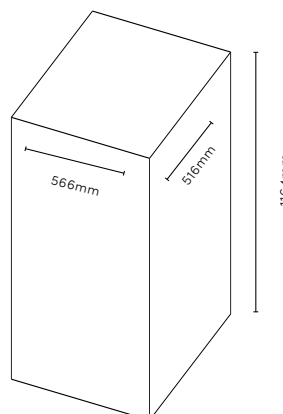
*minimum 8
chairs

SHIPPING MEASUREMENTS

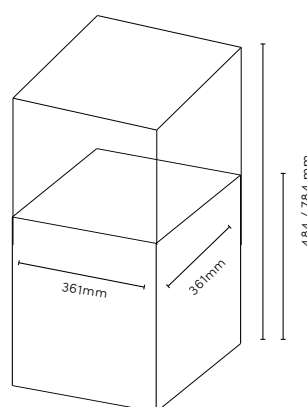
Type	M ³	Weight	Box size
Contract chair	0.38	8kg	646x496x1044mm
Contract high back stool	0.34	9.6kg	566x516x1164mm
Contract low back stool	0.28	8.9kg	
Classic Chair	0.28	7kg	646x496x1044mm
Classic Stool 45cm	0.11	4kg	361x361x484mm
Classic Stool	0.11	5kg	361x361x784mm
Wood Chair	0.33	7kg	646x496x1044mm
Wood high back stool	0.34		
Wood low back stool	0.28	10kg	566x516x1164mm



4 Leg Chair
Classic Chair
Up to 2 chairs pr box
Wood Chair
One chair per box



4 Leg Stool
Wood Stool
Up to 2 chairs pr box



Classic Stools
One stool pr box

NAM NAM

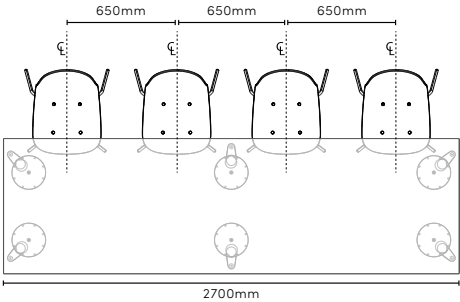
BY HOLMBÄCKNORDENTOFT



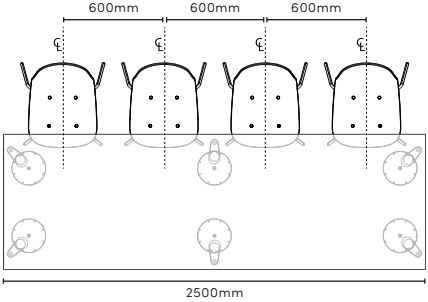
CHAIRS & STOOLS

SPACE ALLOCATION PER CHAIR

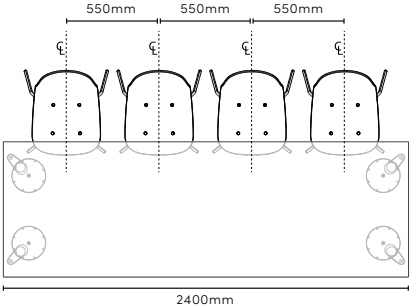
Spacious Layout
650mm



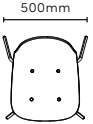
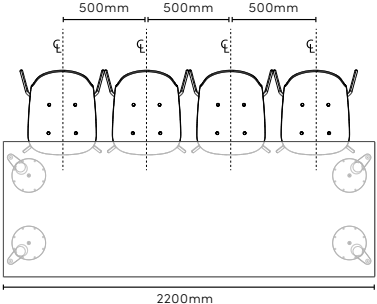
Comfortable Layout
600mm



Standard Layout
550mm



Compact Layout
500mm



4 Leg base

PRODUCT MATERIAL DECLARATION - NAM NAM 4 LEG LOW BACK BARSTOOL



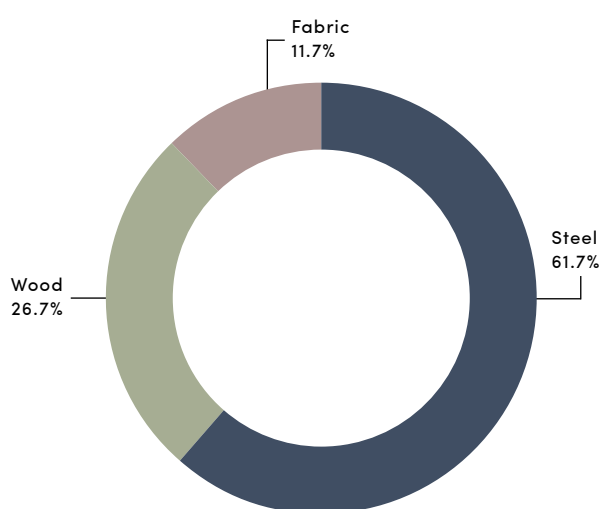
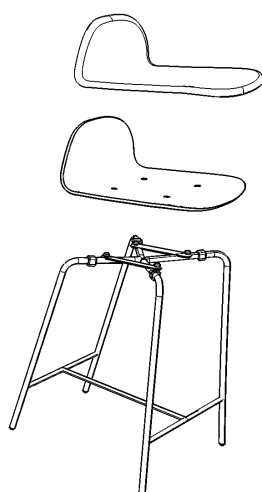
Material	Weight (kg) per component group	Origin of component	Recycled or renewable content	Recyclable content**
Steel	3.7 / 61.7%	EU	17.7%	100%
Wood	1.6 / 26.7%	EU	100%	100%
Fabric*	0.7 / 11.7%	EU	100%	100%
TOTAL:	6 / 100%	TOTAL:	49.25%	100%

The components of this product comply with E1 Classification of formaldehyde emissions and qualify for building certifications

*Fabric calculations are based on Kvadrat - Sport

**Recyclable content is based on responsible commercial disposal by end user into the appropriate waste streams

SUSTAINABILITY



RECYCLED OR RENEWABLE CONTENT



RECYCLABLE CONTENT

This PMD is written in accordance with ISO 14021:1999

Icons of Denmark is ISO 9001:2015 (Quality) and ISO 14001:2015 (Environment) certified

PRODUCT MATERIAL DECLARATION - NAM NAM WOOD LOW BACK BARSTOOL

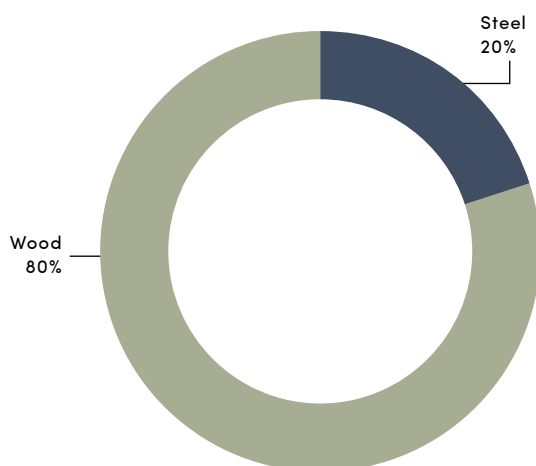
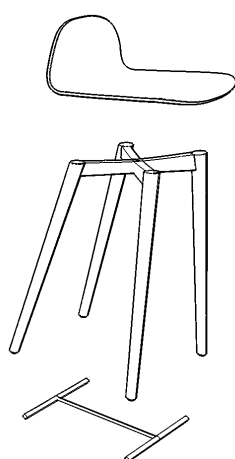


Material	Weight (kg) per component group	Origin of component	Recycled or renewable content	Recyclable content*
Steel	1 / 20%	EU	17.7%	100%
Wood	4 / 80%	EU	100%	100%
TOTAL:	5 / 100%	TOTAL:	83.54%	100%

The components of this product comply with E1 Classification of formaldehyde emissions and qualify for building certifications

*Recyclable content is based on responsible commercial disposal by end user into the appropriate waste streams

SUSTAINABILITY



RECYCLED OR RENEWABLE CONTENT



RECYCLABLE CONTENT

This PMD is written in accordance with ISO 14021:1999

Icons of Denmark is ISO 9001:2015 (Quality) and ISO 14001:2015 (Environment) certified