

# KIPU ED04 | Medium outdoor pouf

Anderssen & Voll | 2014



Sole nuvole@8x

# KIPU

Anderssen & Voll | 2014

Growing up means exactly this, reinventing a form that seemed already perfect. Ten years after its birth, the KIPU pouf has become an armchair, KIPU Club. In 2014, the duo Anderssen&Voll created for Lapalma a sculptural and casual pouf, ideal also as a coffee table. The shape was inspired by a pebble smoothed by the river. Over a decade, this elegant and versatile pouf, born to freely inhabit lounge spaces, alone or in company, has conquered other spaces, from offices to libraries, from hotels to homes, and everywhere, in the variety of shapes and upholstery, it has transmitted personality and comfort. In 2024, the Norwegian design studio added an ergonomic backrest to the KIPU seat, which supports, protects, and softly embraces the body. The pebble has become a nest. And in 2025, a further evolution of the project sees the introduction of an outdoor version. The many admirers of this furniture, perfect alone and generous in pairs or groups, have become a club. Registrations are open. Dress code? Elegance, joy, relaxation.

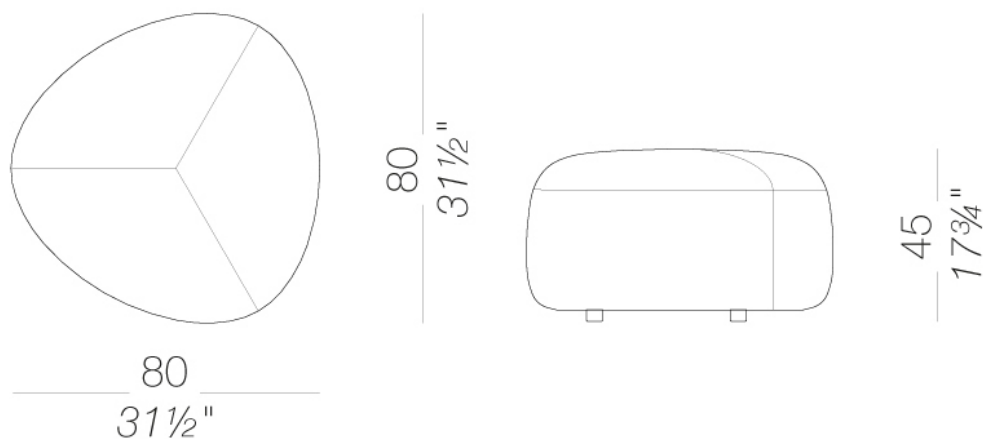


# KIPU

Anderssen & Voll | 2014

## ED04 | Medium outdoor pouf 80x80 H45

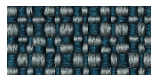
Pouf with moulded polyurethane foam double density and polyester fiber, all fire-retardant, with protective water-resistant and breathable fabric layer and finished with UV stable outdoor fabric. Base in marine plywood with glides in polypropylene. Water-resistant protective covers are available.



# KIPU ED04 | Medium outdoor pouf

Anderssen & Voll | 2014

## upholstery



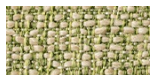
fabric  
Ilris - Grade B  
34 Colors



fabric  
Atrium - Grade. C  
16 Colors



fabric  
Panama - Grade. A  
48 Colors



fabric  
Sorrento - Grade. B  
22 Colors

**consult the folder of materials for the range of colors and fabrics**

### use and maintenance instructions

Outdoor fabrics are lined unglued, therefore any creasing in the upholstery is an inevitable consequence of use and cannot be considered grounds for any claims. To prolong the life of the product, clean the surfaces regularly, dry them with a clean cloth and remove any stagnant water, especially if exposed in locations with a high level of humidity or a marine climate. When not in use, we recommend storing in sheltered places and covering with waterproof protection. In this case, it is advisable to remove the cover and ventilate the product frequently and regularly to avoid the onset of any mould or stains due to damp. THE WARRANTY WILL NOT COVER DEFECTS OR IMPERFECTIONS RESULTING FROM THE PASSAGE OF TIME OR TO WEAR AND TEAR DUE TO THE NORMAL USE OF THE PRODUCT.