

KIPU ED01 | Small outdoor pouf ☁️

Anderssen & Voll | 2014





KIPU

Anderssen & Voll | 2014

They were created among waves, and time and the wind have smoothed them and made them precious. Pebbles. And it is so wonderful to hold them and feel that nature and man love the same shapes. Anderssen & Voll have gone back to their childhood, and thinking of the pebbles they collected on beaches in Norway, they have designed a wonderful collection of poufs. They are the amazingly versatile KIPUs, which alternate in compositions thanks to an exciting variety of shapes and colours. Relaxation, comfort and energy. One pebble after another, like walking on water.

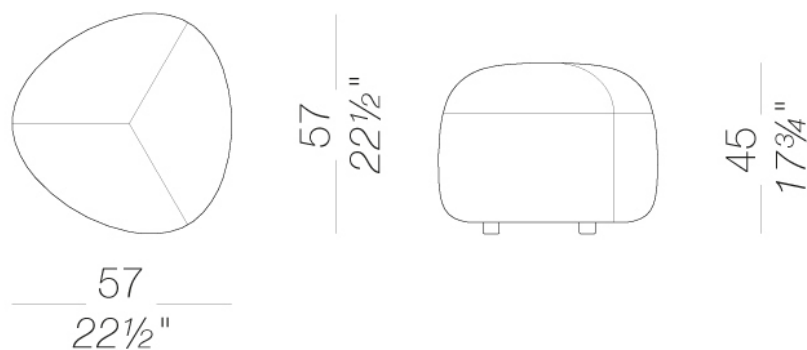


KIPU

Anderssen & Voll | 2014

ED01 | Small outdoor pouf 57x57 H45 ☀️

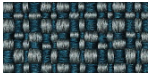
Pouf with moulded polyurethane foam double density and polyester fiber, all fire-retardant, with protective water-resistant and breathable fabric layer and finished with UV stable outdoor fabric. Base in marine plywood with glides in polypropylene. Water-resistant protective covers are available.



KIPU ED01 | Small outdoor pouf ☁️

Anderssen & Voll | 2014

upholstery



fabric
Iris - Grade B
24 Colors



fabric
Atrium - Grade. C
16 Colors



fabric
Panama - Grade. A
48 Colors



fabric
Sorrento - Grade. B
22 Colors

consult the folder of materials for the range of colors and fabrics

use and maintenance instructions

Outdoor fabrics are lined unglued, therefore any creasing in the upholstery is an inevitable consequence of use and cannot be considered grounds for any claims. To prolong the life of the product, clean the surfaces regularly, dry them with a clean cloth and remove any stagnant water, especially if exposed in locations with a high level of humidity or a marine climate.

When not in use, we recommend storing in sheltered places and covering with waterproof protection. In this case, it is advisable to remove the cover and ventilate the product frequently and regularly to avoid the onset of any mould or stains due to damp.

THE WARRANTY WILL NOT COVER DEFECTS OR IMPERFECTIONS RESULTING FROM THE PASSAGE OF TIME OR TO WEAR AND TEAR DUE TO THE NORMAL USE OF THE PRODUCT.