

CROSSOVER

BY HANS THYGE & CO.



CHAIRS & STOOLS

Designed by Hans Thyge & Co, Crossover is a meeting point between two concepts – the ergonomics and functionality of a task chair combined with the sophisticated profile of a meeting chair.



CROSSOVER

BY HANS THYGE & CO.



CHAIRS & STOOLS



KEY FEATURES

Intuitive performance
Sophisticated profile
All day comfort

CROSSOVER

The result of the Crossover is a unique design: an all-day chair that draws the eye and provides comfort for the spectrum of work activities. When seated, Crossover responds to the natural postures of your body with a synchronised tilt mechanism. This connects your movements with the chair and cradles different postures throughout the day. To keep things effortless, Crossover is weight-activated and has only two manual adjustments for seat height and tilt activation.

FACTS

Designer	Hans Thyge & Co.
Year	2019
Origin	Made in Denmark
Material	Fabric, leather
Base	Powder coated black (RAL 9005)
Assembly	Chairs are preassembled.
Lead time	6 - 8 weeks
Intended use	Meeting, long-sit & task
Complementary	Woodstock, Forum, Facit and Kant table series

INSPIRATION



CROSSOVER

BY HANS THYGE & CO.



CHAIRS & STOOLS

VARIATIONS



Young Iconic
4 Star base



Young Iconic
5 Star base with
tilt and gas lift



Modern Executive
4 Star base

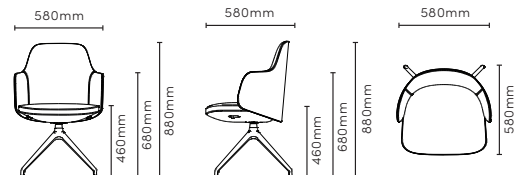
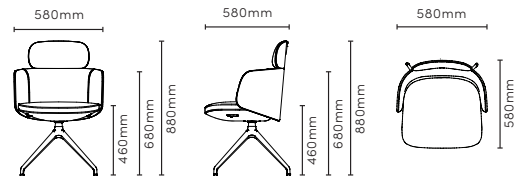
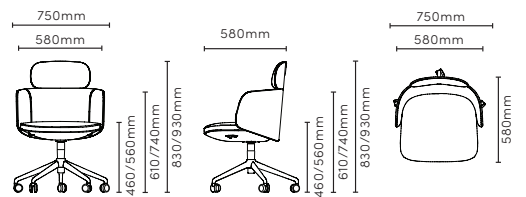
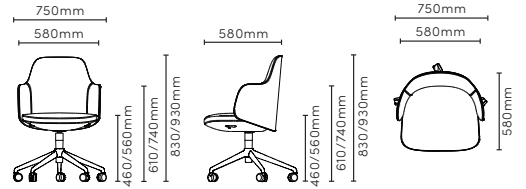


Modern Executive
5 Star base with
tilt and gas lift

DIMENSIONS

Type	Width	Depth	Height	Arm Height	Seat Height
Young Iconic 5 Star	750mm	580mm	930mm	740mm	560mm
Young Iconic 4 Star	580mm	580mm	880mm	680mm	460mm
Modern Executive 5 Star	750mm	580mm	930mm	740mm	560mm
Modern Executive 4 Star	580mm	580mm	880mm	680mm	460mm

SPECIFICATIONS





MATERIAL – FABRIC, LEATHER

Fabric Group	0	1	2	3	4
Kvadrat	Technicolour	Re-wool	Steelcut	Serpentine	Coda
	Remix	Fiord	Steelcut Trio	Vidar	Elle
	Clara	Hero	Steelcut Quartet	Vanir	
		Hero Heather	Hallingdal	Arda	
		Melange Nap	Canvas	Twill Weave	
		Mylla	Still	Forestview	
		Encircle	Clay	Regos	
			Saxion		

Leather Group	1	2	3	4
Sørensen	Ultra Crib5	Nuance	Savanne	Spectrum

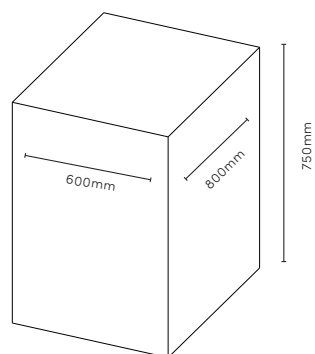
BASE

 Powder coated black
RAL 9005

 Polished aluminium

SHIPPING MEASUREMENTS

Type	M ³	Weight	Box size
Young Iconic	0.4	15kg	600x800x750mm
Modern Executive	0.4	15kg	600x800x750mm



One chair pr box

CROSSOVER

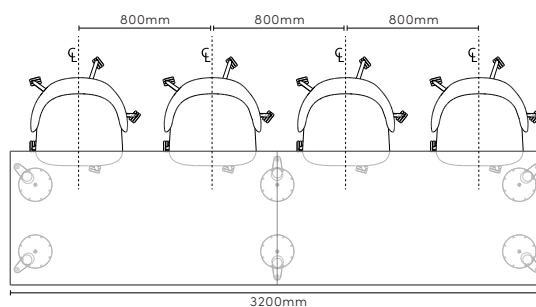
BY HANS THYGE & CO.



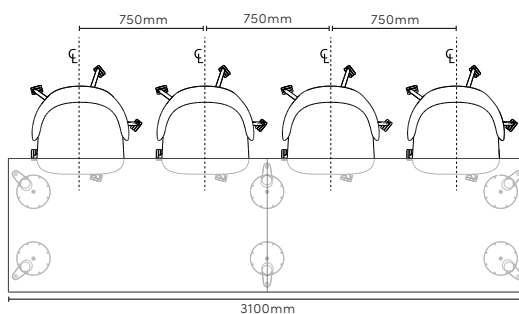
CHAIRS & STOOLS

SPACE ALLOCATIONS PER CHAIR

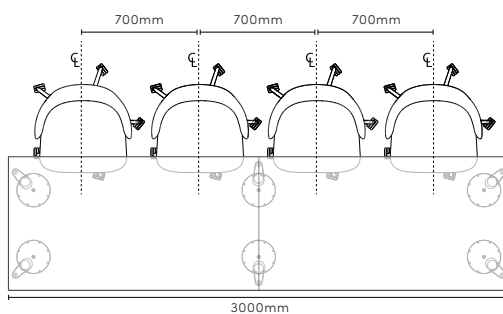
Spacious Layout
800mm



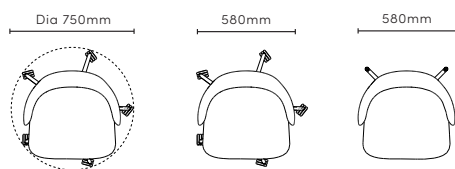
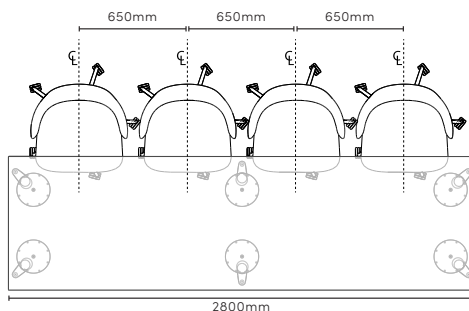
Comfortable Layout
750mm



Standard Layout
700mm



Compact Layout
650mm



5 Star base

4 Star base

PRODUCT MATERIAL DECLARATION - CROSSOVER 5 STAR BASE WITH CASTORS



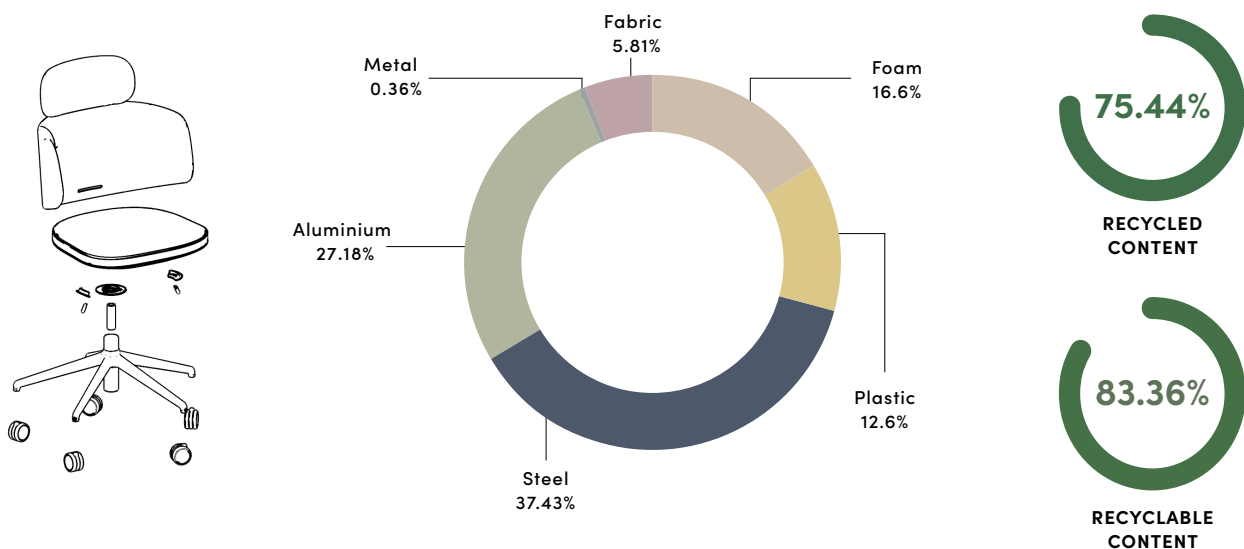
Material	Weight (kg/%) per component group	Origin of component	Recycled content	Recyclable content **
Foam	2.29 / 16.6%	EU	0%	0%
Plastic	1.73 / 12.6%	EU	50%	100%
Aluminium	3.74 / 27.18%	EU	94%	100%
Metal	0.05 / 0.36%	EU	100%	100%
Fabric+	0.8 / 5.81%	EU	100%	100%
Steel	5.15 / 37.43%	EU	100%	100%
TOTAL:	13.76kg / 100%	TOTAL:	75.44%	83.36%

The components of this product comply with E1 Classification of formaldehyde emissions and qualify for building certifications

+Fabric calculations are based on Kvadrat - Sport

++ Recyclable content is based on responsible commercial disposal by end user into the appropriate waste streams

SUSTAINABILITY



This PMD is written in accordance with ISO 14021:1999

Icons of Denmark is ISO 9001:2015 (Quality) and ISO 14001:2015 (Environment) certified